

SHURIKEN™

SIMPLE BOLTED SPLICES

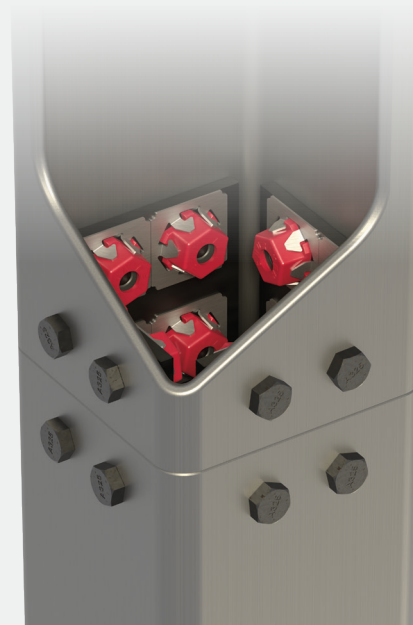
Shuriken is the built-in wrench that lets you make field-bolted HSS column splices and other one-sided connections with standard A325 and A490 bolts. No need for field welds or complicated one-sided connectors — Shuriken mounts quickly in the shop and bolts go in quickly in the field, no special tools required.

Shuriken Cuts Project Costs

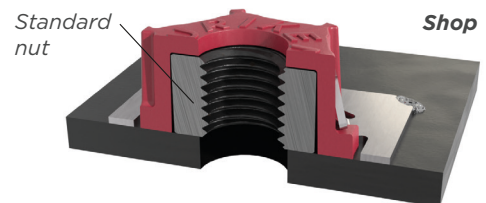
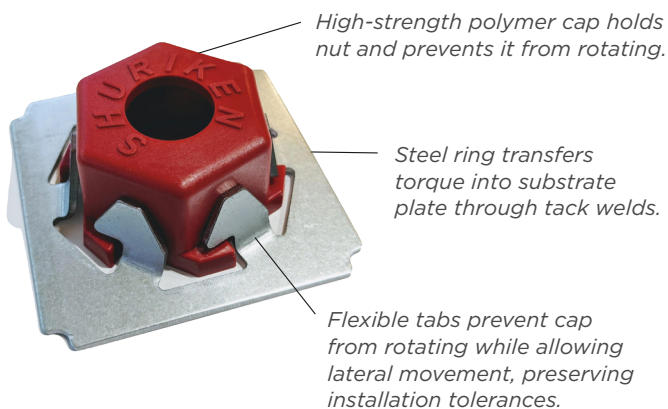
Reduce tonnage by specifying HSS columns without worrying about field-welded splices. Design simple, compact, one-sided connections that don't rely on expensive proprietary fasteners.

Shuriken Expands Possibilities

Shuriken facilitates slip-critical bolted joints that were impossible until now, and it keeps nuts hidden so you can make beautiful bolted connections even when steel is exposed to view.

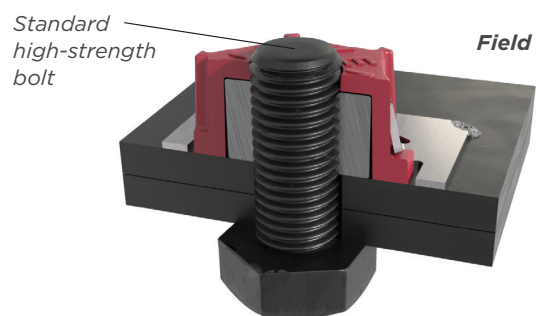


*Field-bolted
HSS splice*



Standard nut

Shop



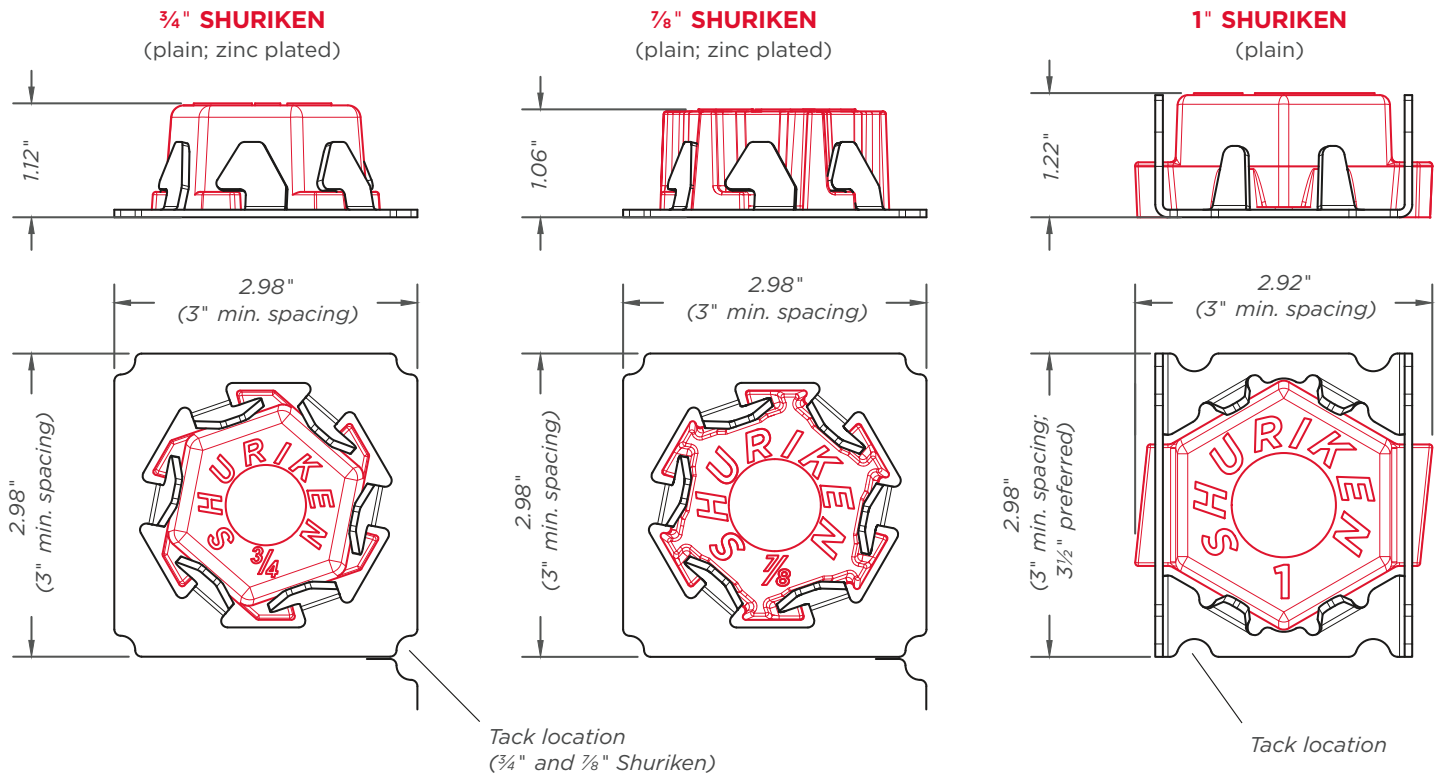
Standard high-strength bolt

Field

To learn more, go to
atlastube.com/shuriken

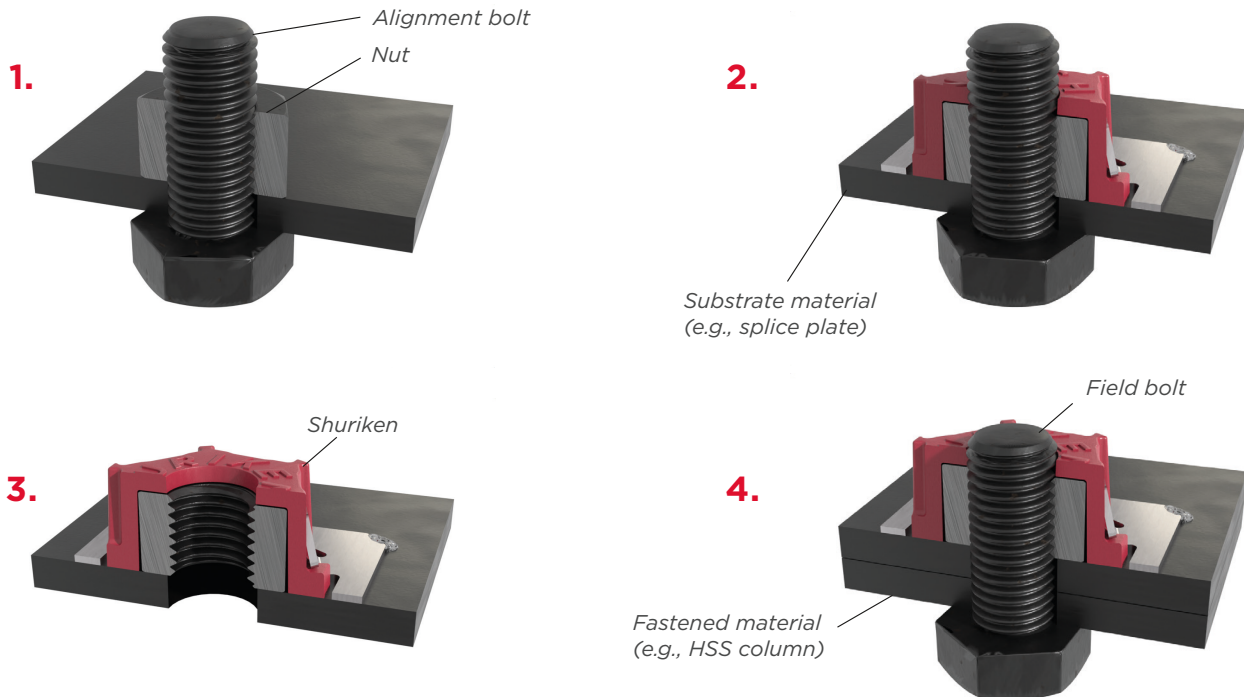
 **Shuriken™**
BETTER BOLTED CONNECTIONS

DIMENSIONS AND SPACING



INSTALLATION PROCEDURE

7/8" SIZE SHOWN



1. Insert an alignment bolt and hand tighten with a nut (washer optional for 3/4" bolts).
2. Place Shuriken over the nut and tack weld the steel ring to the substrate plate at all four corners.
3. Remove the alignment bolt.
4. Erect the steel and install field bolts from the accessible side.

ATU-012324



1855 East 122nd Street
Chicago, IL 60633
P 800.733.5683
F 773.646.6128



200 Clark Street
Harrow, ON N0R 1G0
P 800.265.6912
F 519.738.3537

sales@atlastube.com
atlastube.com

Atlas Tube
A ZEKELMAN COMPANY